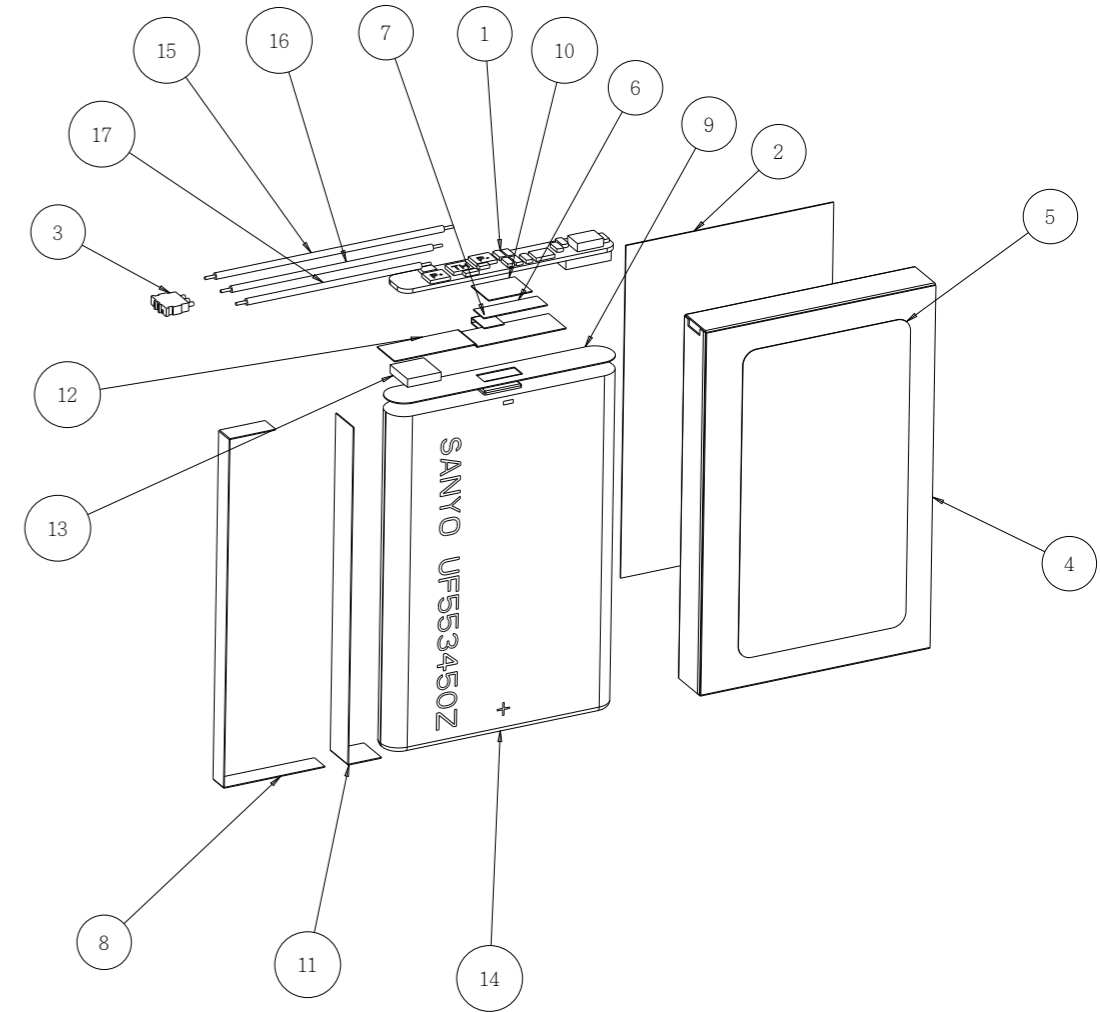
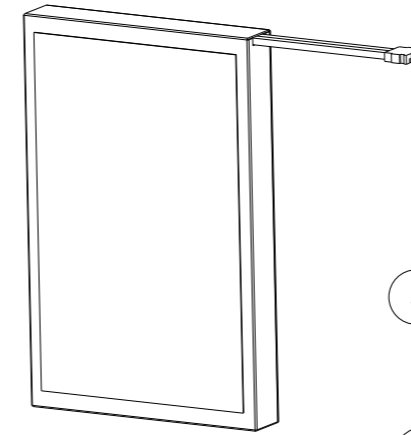
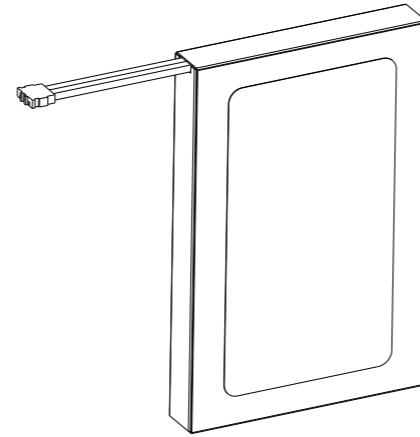
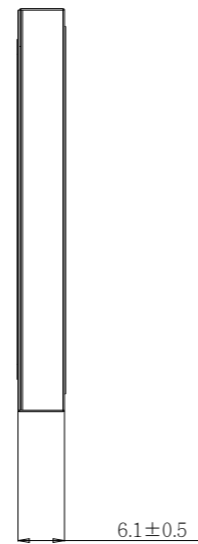
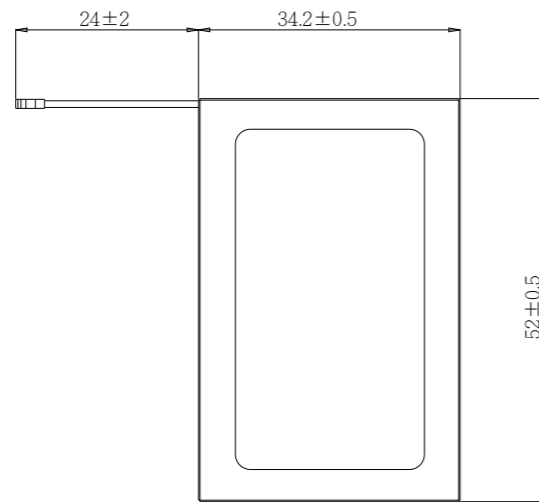
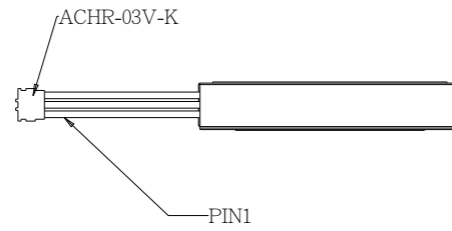


Rev.	DESCRIPTION	DATE
00	NEW DESIGN	Nov-24-16

NOTES: (UNLESS OTHERWISE SPECIFIED)

- UNSPECIFIED RADIUS R=0.3mm.
- GATE TRIM NOT TO EXCEED 0.2mm.
- THE MATERIALS AND MANUFACTURING METHODS USED IN THE FABRICATION OF THIS PART OR ASSEMBLY MUST COMPLY WITH JMS ENVIRONMENTAL (RoHS) SPECIFICATION.
- PART OR ASSEMBLY SHALL CONFORM TO PROJECT COSMETIC SPEC.
- PART OR ASSEMBLY SHALL BE CLEAN AND FREE FROM FOREIGN MATERIAL. DIRT, OIL, GREASE, OR OTHER CONTAMINANTS ARE NOT ALLOWED.
- CRITICAL TO FUNCTION DIMENSION: CONFORM TO PICTURE REQUIREMENT.
- COINED-EDGES SHALL CONFORM TO ELECTRONIC DATABASE OR SHOWN AND SPECIFIED ON DRAWING.
- BURR SIDE OR PUNCH DIRECTION AS INDICATED.

PIN1	P+	RED
PIN2	TH	GREEN
PIN3	P-	BLACK



1	ASSEMBLY	JM-1SP050PP	1	
2	PART	3M-9495LE	1	
3	PART	ACHR-03V-K	1	
4	PART	ECO-60B	1	
5	PART	LABEL	1	
6	PART	NI-P-01	1	
7	PART	NI-P-02	1	
8	PART	NI-P-03	1	
9	PART	NOMEX-01	1	
10	PART	NOMEX-02	1	
11	PART	NOMEX-03	1	
12	PART	NOMEX-04	1	
13	PART	PET	1	
14	PART	SANYO-UF553450Z	1	
15	PART	UL1571-28AWG-BLACK	1	
16	PART	UL1571-28AWG-GREEN	1	
17	PART	UL1571-28AWG-RED	1	
ITEM	TYPE	ASM PART	PART NO	QTY

APPROVED	Ted	JMS	Joules Miles CO.,LTD				
CHECKED	Ted						
DESIGN	Josh	DocNO					
MATERIAL		NAME	PJ21-UF553450Z-1S1P				
REVISION	00	Part No					
UNIT MM	SCALE	1.000	DATE	Nov-24-16	SHEET	1/1	

RANGE	COMMON TOLERANCE (MM)			
	A	B	C	D
8 LESS THAN	±0.05	±0.1	±0.2	±0.4
8 ~ 25	±0.08	±0.15	±0.3	±0.6
25 ~ 80	±0.12	±0.25	±0.5	±1.0
80 ~ 250	±0.25	±0.4	±0.8	±1.5
250 ~ 800	±0.5	±0.8	±1.5	±3.0
800 ~ 2500	±1.0	±1.5	±3.0	±6.0
ANGULAR	±0.15°	±0.3°	±0.5°	±0.8°

QS-2-40092-V1.0